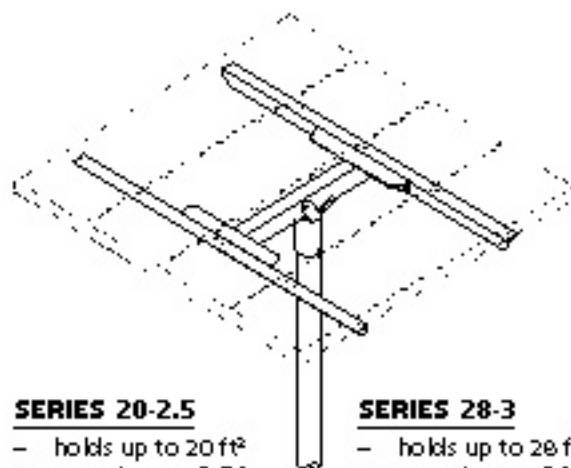
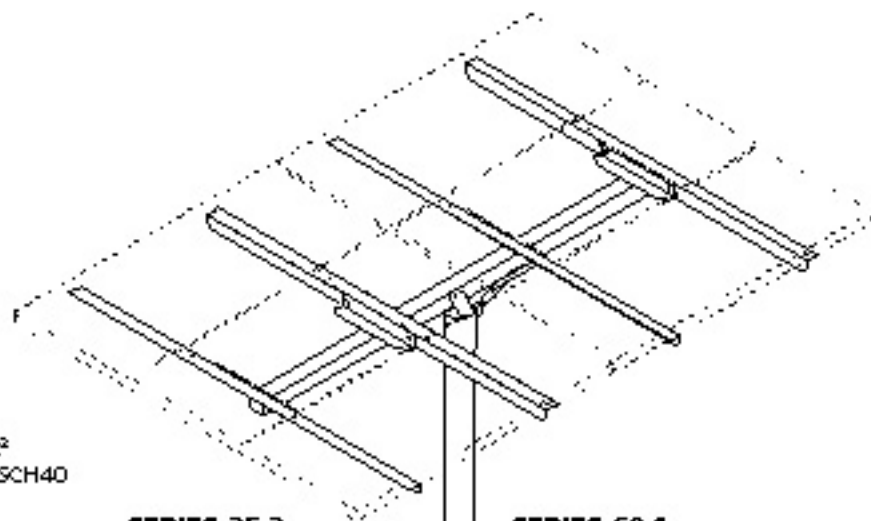


TOP-OF-POLE MOUNTS (continued)



SERIES 20-2.5

- holds up to 20 ft²
- mounts on a 2.5" SCH40 pipe (2-7/8" OD)



SERIES 28-3

- holds up to 28 ft²
- mounts on a 3" SCH40 pipe (3-1/2" OD)

SERIES 35-3

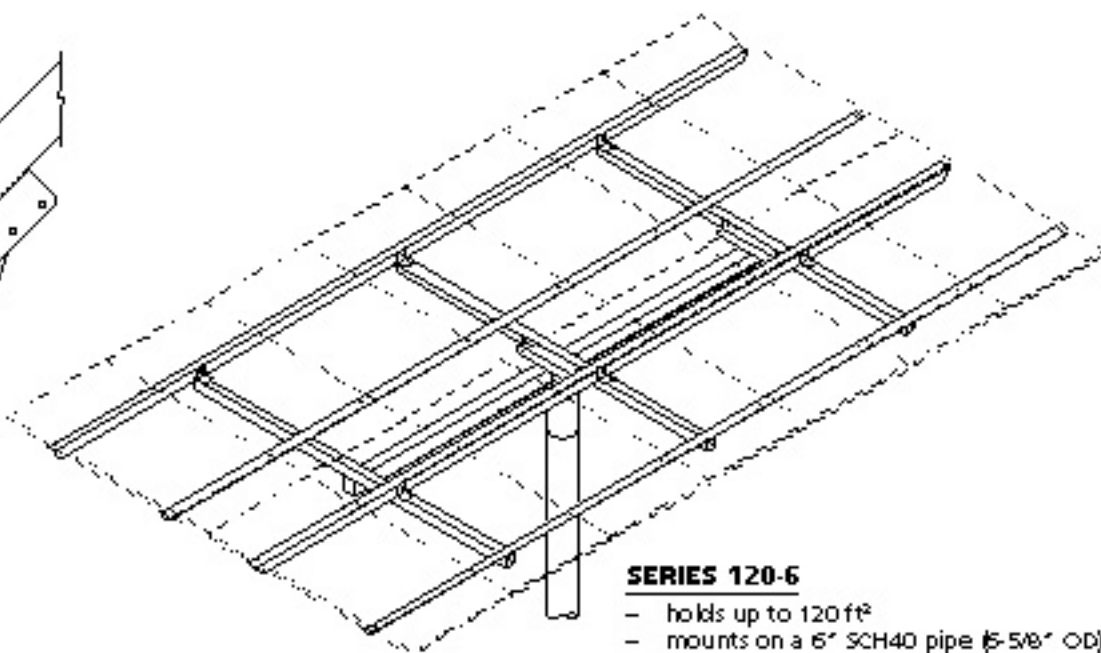
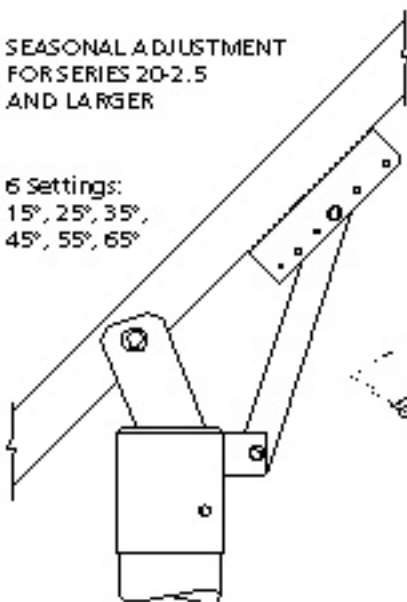
- holds up to 35 ft²
- mounts on a 3" SCH40 pipe (3-1/2" OD)

SERIES 60-4

- holds up to 60 ft²
- mounts on a 4" SCH40 pipe (4-1/2" OD)

SEASONAL ADJUSTMENT
FOR SERIES 20-2.5
AND LARGER

6 Settings:
15°, 25°, 35°,
45°, 55°, 65°



SERIES 120-6

- holds up to 120 ft²
- mounts on a 6" SCH40 pipe (6-5/8" OD)

OPTIONS

- Hot-dip galvanized steel with anodized aluminum rails
- Custom elevation angle settings
- All-welded racks
- Combiner box mounting plates
- Tamper-resistant hardware
- Powder coating
- All stainless hardware
- Wire holes in cap
- Custom sleeve sizes