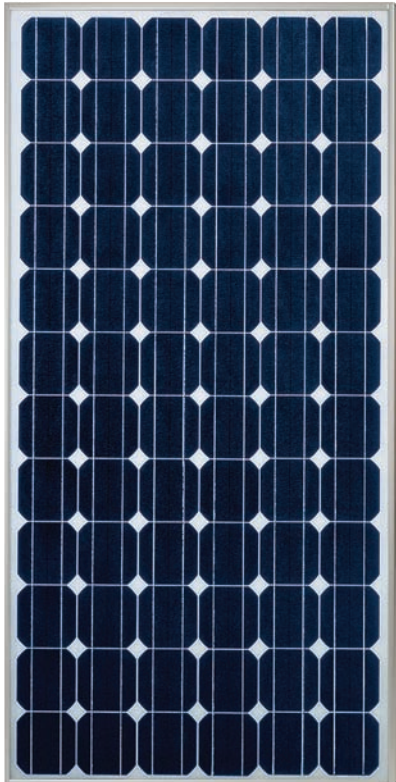


# SHARP®

solar electricity

## 175 WATT

MULTI-PURPOSE MODULE



**NT-175U1**

MULTI-PURPOSE 175 WATT  
MODULE FROM THE WORLD'S  
TRUSTED SOURCE FOR SOLAR.

Using breakthrough technology, made possible by nearly 50 years of proprietary research and development, Sharp's NT-175U1 solar module incorporates an advanced surface texturing process to increase light absorption and improve efficiency. Common applications include commercial and residential grid-tied roof systems as well as ground mounted arrays. Designed to withstand rigorous operating conditions, this module offers high power output per square foot of solar array.

Multi-purpose module ideal for ground mounted solar systems and the preferred solution for landowners.

#### **ENGINEERING EXCELLENCE**

High module efficiency for an outstanding balance of size and weight to power and performance.

#### **DURABLE**

Tempered glass, EVA lamination and weatherproof backskin provide long-life and enhanced cell performance.

#### **RELIABLE**

25-year limited warranty on power output.

#### **HIGH PERFORMANCE**

This module uses an advanced surface texturing process to increase light absorption and improve efficiency.



Sharp multi-purpose modules offer industry-leading performance for a variety of applications.



Improved Frame Technology

#### **SHARP: THE NAME TO TRUST**

When you choose Sharp, you get more than well-engineered products. You also get Sharp's proven reliability, outstanding customer service and the assurance of our 25-year limited warranty. A global leader in solar electricity, Sharp powers more homes and businesses than any other solar manufacturer worldwide.

**BECOME POWERFUL**

# 175 WATT

## NT-175U1

### ELECTRICAL CHARACTERISTICS


Maximum Power (Pmax)*	175 W
Tolerance of Pmax	+10%/-5%
Type of Cell	Monocrystalline silicon
Cell Configuration	72 in series
Open Circuit Voltage (Voc)	44.4 V
Maximum Power Voltage (Vpm)	35.4 V
Short Circuit Current (Isc)	5.40 A
Maximum Power Current (Ipm)	4.95 A
Module Efficiency (%)	13.45%
Maximum System (DC) Voltage	600 V
Series Fuse Rating	10 A
NOCT	47.5°C
Temperature Coefficient (Pmax)	-0.485%/°C
Temperature Coefficient (Voc)	-0.36%/°C
Temperature Coefficient (Isc)	0.053%/°C

\*Measured at (STC) Standard Test Conditions: 25°C, 1 kW/m<sup>2</sup>, AM 1.5

### MECHANICAL CHARACTERISTICS

Dimensions (A x B x C below)	32.5" x 62.0" x 1.8"/826 x 1575 x 46 mm
Cable Length (G)	43.3"/1100 mm
Type of Output Terminal	Lead Wire with MC Connector
Weight	35.3 lbs / 16.0 kg
Max Load	50 psf (2400 Pascals)

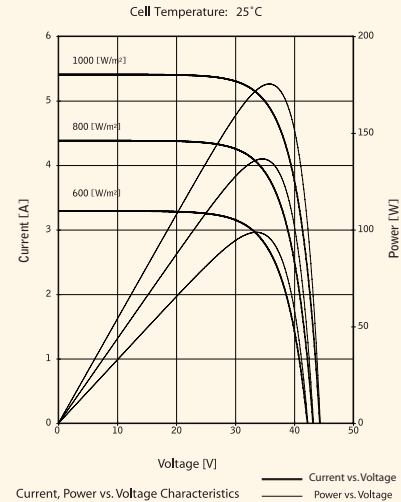
### QUALIFICATIONS

UL Listed	UL 1703	
Fire Rating	Class C	

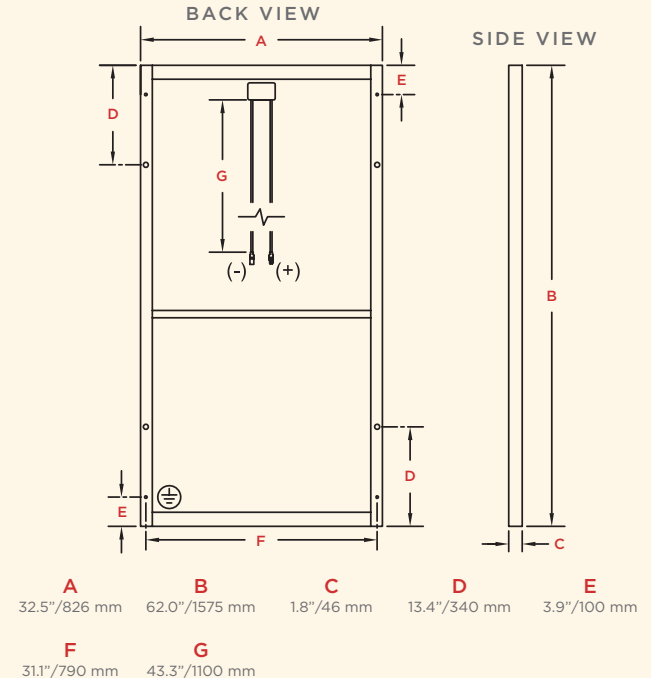
### WARRANTY

25-year limited warranty  
Contact Sharp for complete warranty information

### IV CURVES



### DIMENSIONS



Contact Sharp for tolerance specifications

Design and specifications are subject to change without notice. Sharp is a registered trademark of Sharp Corporation. All other trademarks are property of their respective owners. Sharp takes no responsibility for any defects that may occur in equipment using any Sharp devices. Contact Sharp to obtain the latest product manuals before using any Sharp device. Cover photo: Solar installation by Pacific Power Management, Auburn CA.



SHARP ELECTRONICS CORPORATION  
5901 Bolsa Avenue, Huntington Beach, CA 92647  
1-800-SOLAR-06 • Email: [sharpsolar@sharpusa.com](mailto:sharpsolar@sharpusa.com)  
[www.sharpusa.com/solar](http://www.sharpusa.com/solar)