

YL175Wp, Yingli Solar

- World-class Product and Service
- Complete Production Chain
- PV Manufacturer from China

ELECTRICAL PARAMENTER

Module type	175(23)P1310×990
Cell	Poly-crystal silicon
No. of Cells and Connections	48 in series
Maximum Power (Pm)	175W±3%
Maximum Power Voltage (Vpm)	23.5V
Maximum Power Current (Ipm)	7.5A
Open Circuit Voltage (Voc)	29.5V
Short Circuit Current (Isc)	8.0A
Module Efficiency	13.5%
Cell Efficiency	15.0%

(* (STC) Standard Test Conditions: 25°C, 1 kW/m², AM 1.5)

MECHANICAL CHARACTERISTIC

Dimensions (H×W×D)	1310×990×50mm
Weight	15.4Kg(33.9Pound)
Area	1.3m ²

(Cable Length 900mm provide by clients' requirement)

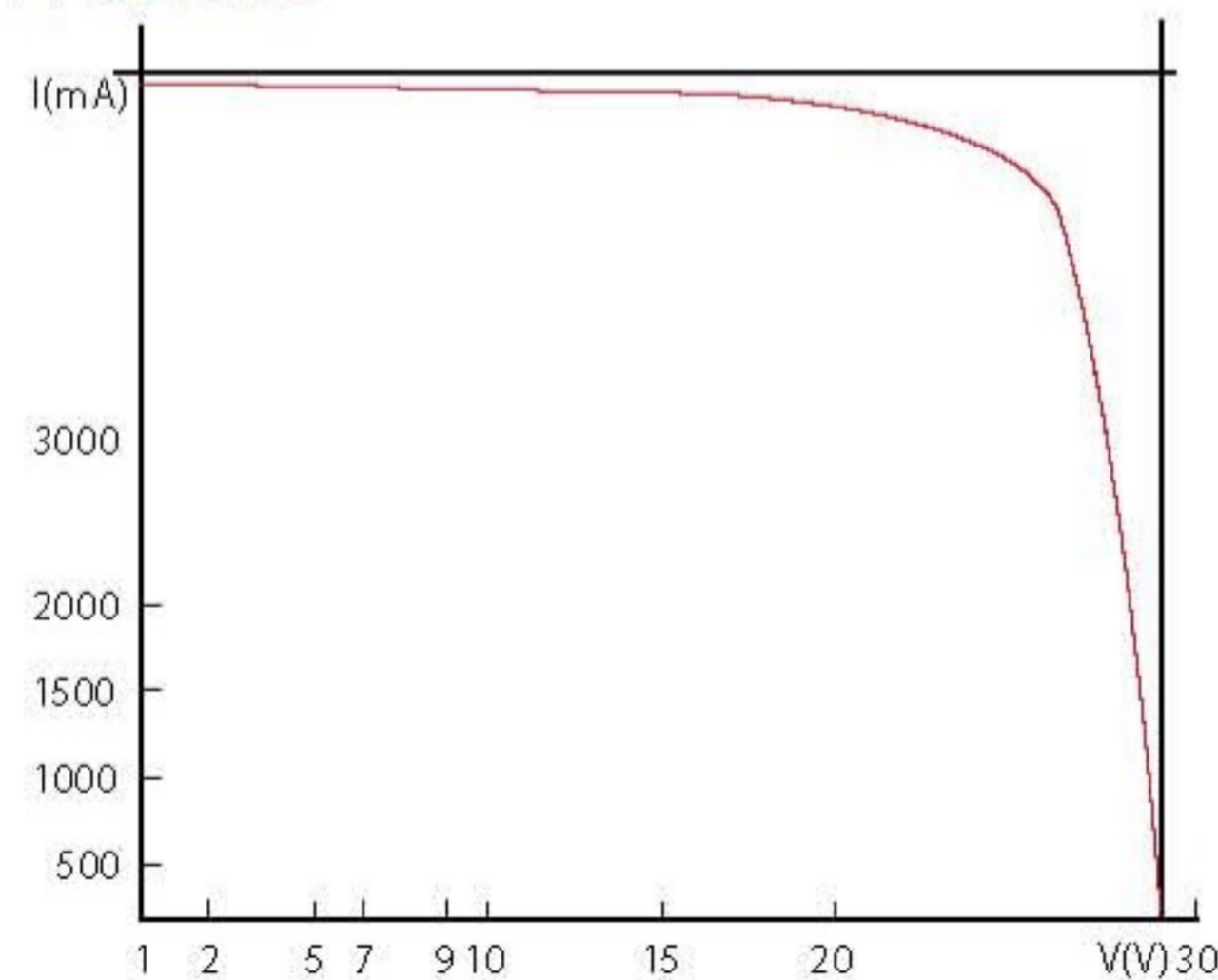
TEMPERATURE COEFFICIENTS

Power	T _k (Wp)	-0.45 %/°C
Open Circuit Voltage	T _k (Voc)	-0.37 %/°C
Short Circuit Current	T _k (Isc)	+0.06 %/°C

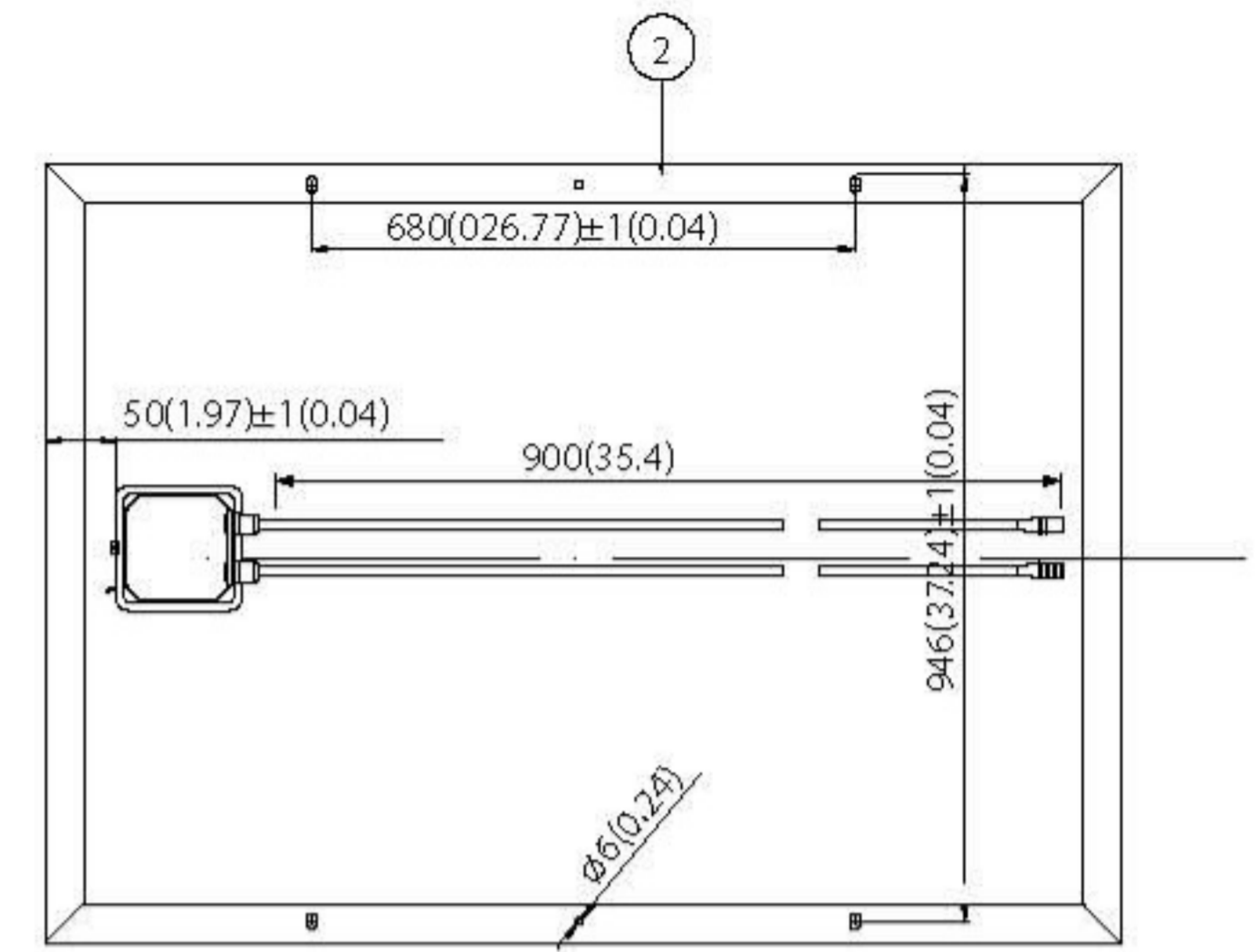
ABSOLUTE MAXIMUM LIMITS

Max System Voltage	V	1000
Module Operating Temperature	°C	-45—+85
Wind speed	Km/h	130
Noct	°C	46±2

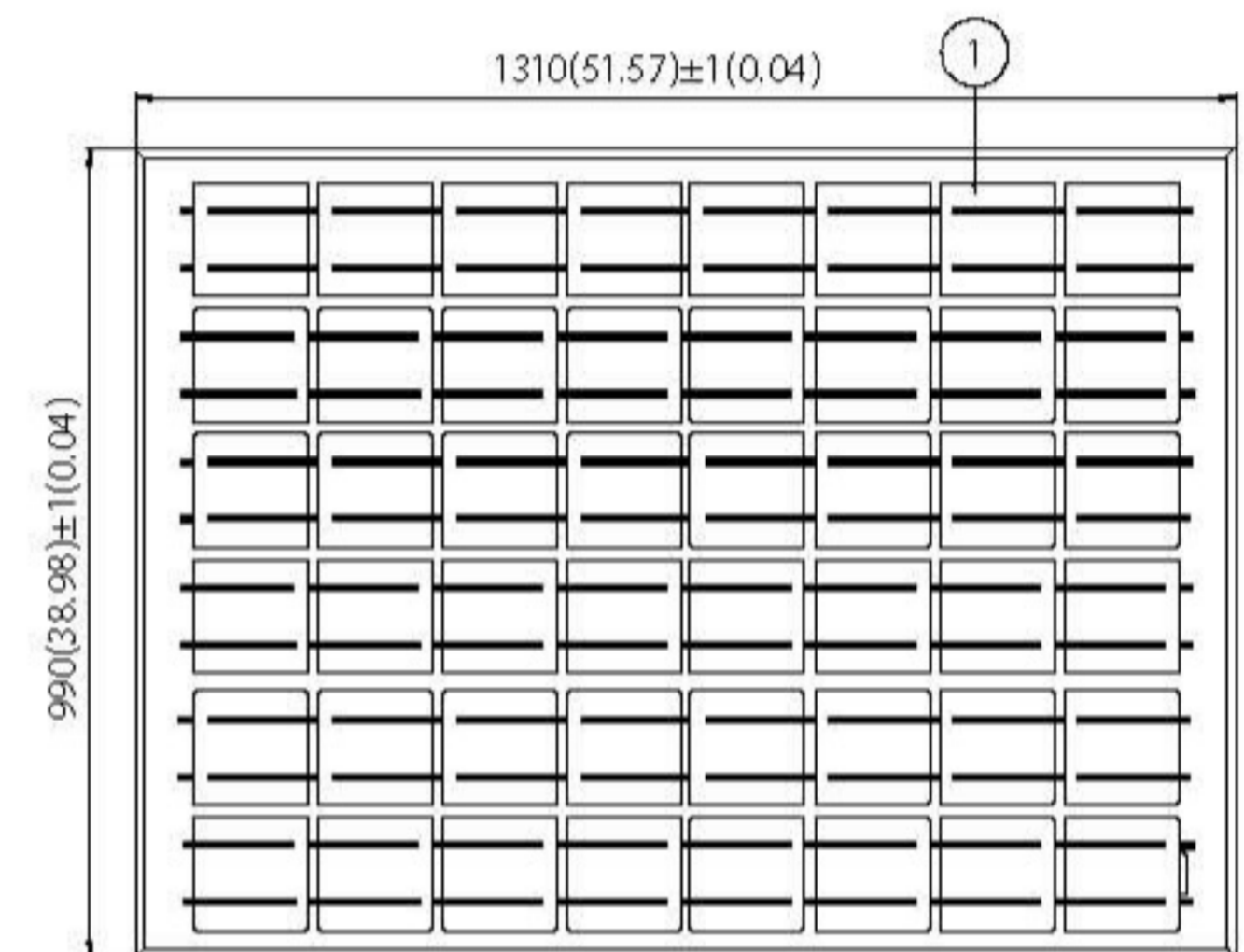
I V CURVES



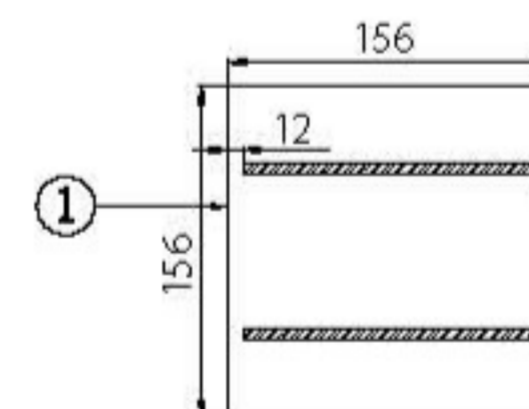
INSTALLATION DIMENSIONS



back side



Front side



Cell back side



Left side

Certificate	IEC, UL			
2	Frame	Q128,1310×990	1Set	
1	Cell	156×156	48PCS	
Item	Name	Specification	Quantity	Remark
Brand	Yingli solar		175(23)P1310×990	



China-Tianwei Yingli New Energy Resources Co.,Ltd.

No.3055 Middle Fuxing Road, Baoding China (071051)

Tel: +86(312)8929801 8929700 Fax: +86(312)3151881

E-mail: commerce@yinglisolar.com Http://www.yinglisolar.com